

| | |
|--|---|
| <h1 style="margin: 0;">Clevis Hitch</h1> | |
| <h2 style="margin: 0;">Part No. 94-7800</h2> | <h2 style="margin: 0;">Installation Instructions</h2> |

Loose Parts

Note: Use the chart below to identify parts for assembly.

| DESCRIPTION | QTY. | USE |
|----------------------------|------|----------------------------------|
| Clevis pin, 3/8" x 1" | 2 | Secure the attachment lift arms |
| Hairpin cotter, 1-7/16" | 2 | |
| Clevis hitch | 1 | Install clevis hitch |
| Lift cable | 1 | Install lift cable |
| Clevis pin, 5/16" x 15/16" | 1 | |
| Trunnion | 1 | |
| Washer, 1/2" | 1 | |
| Hairpin cotter, 1-1/2" | 4 | |
| Locknut | 1 | |
| Cable guide | 1 | |
| Hitch pin | 1 | Attach and stabilize accessories |
| Stabilizer plate | 1 | |
| Bolt, 1/2"-13 x 2" | 2 | |
| Jam nut, 1/2"-13 | 2 | |

Preparing the Tractor

Preparing the Attachment Lift Arms

Secure the attachment lift arms in the raised position.

1. Start the tractor.
2. Raise the attachment lift.
3. Set the parking brake and stop the engine. Remove the key.
4. Install a 3/8 x 1 inch clevis pin into each side of the lift assembly in the positions shown in Figure 1.

5. Secure the pins with two 1-7/16 inch hairpin cotters.

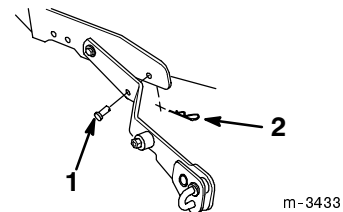


Figure 1

1. Clevis pin 3/8" x 1"
2. Hairpin cotter, 1-7/16"

Installing the Cable Guide

Install the cable guide from the underside of the tractor. For more visibility, remove the drive shaft maintenance cover.

1. Disengage the power take off (PTO), set the parking brake, and stop the engine. Remove the ignition key.

! DANGER !

POTENTIAL HAZARD

- The rotating shaft or cooling fan can cause injury.

WHAT CAN HAPPEN

- Fingers, hands, feet, hair, etc. can get caught by the shaft or fan.
- Loose clothing can get caught by the shaft.

HOW TO AVOID THE HAZARD

- Do not operate the tractor without the drive shaft cover in place.
- Keep hands and arms clear of the rotating shaft or fan.

2. Remove the two bolts securing the plastic fan baffle (Fig. 2) and remove the baffle.
 3. Remove the clip nut from the left side of the plastic fan baffle.
 4. Install the clip nut over the hole in the bent tab of the cable guide (Fig. 2).
 5. Remove the nut from the pivot bolt on the left hand attachment lift arm, leaving the bolt in place (Fig. 2).
 6. Route the cable guide around the left side of the fan.
- Note:** This step may require some effort to maneuver the guide around the fan.
7. Place the rear hole of the cable guide over the bolt securing the left hand attachment lift arm and replace the nut loosely (Fig. 2).
 8. Install the plastic fan baffle with one of the previously removed bolts in the right hand side only, leaving the bolt loose (Fig. 2).

9. Align the front of the cable guide with the hole in the left hand side of the plastic fan baffle and install the other bolt previously removed.

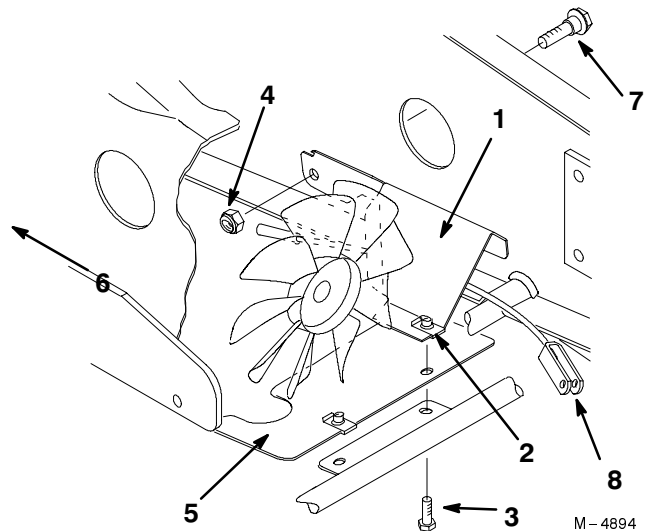


Figure 2

- | | |
|----------------------------------|-----------------------|
| 1. Cable guide | 5. Plastic fan baffle |
| 2. Clip nut | 6. Rear of tractor |
| 3. Fan baffle bolt | 7. Pivot bolt |
| 4. Left hand lift arm pivot bolt | 8. Lift cable nut |

10. Tighten all bolts and nuts securely.
11. Replace the drive shaft maintenance cover (if removed).

Removing the Rear Panel

1. Remove the rear panel by removing the two bolts and nuts, located on each side of the panel (Fig. 3).

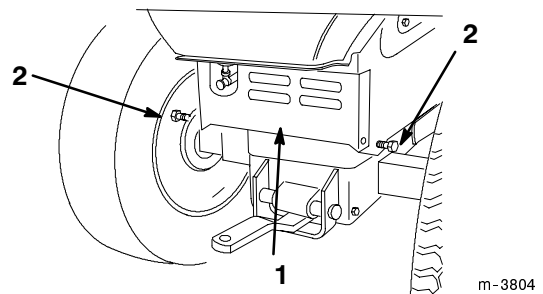


Figure 3

- | | |
|---------------|---------|
| 1. Rear panel | 2. Bolt |
|---------------|---------|
2. Store the panel and bolts in a safe location.

Installing the Clevis Hitch

1. Start the tractor, lower the attachment lift, and stop the engine. Remove the key.
2. Remove one retaining ring from the pin and slide the pin out of the drawbar hitch assembly.
3. Remove and store the two spacers that center the drawbar.
4. Install the drawbar hitch and the clevis hitch, using the clevis hitch in place of the removed spacers and secure the pin with the removed retaining ring (Fig. 4).

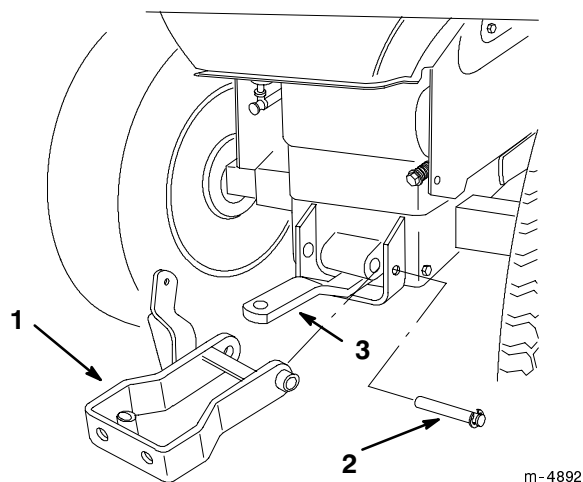


Figure 4

- | | |
|-----------------|------------------|
| 1. Clevis hitch | 3. Drawbar hitch |
| 2. Pin | |

Installing the Lift Cable

1. Route the clevis end of the lift cable over the left axle casting to the attachment lift plates (Fig. 5).
2. Attach the clevis to the hole in the tractor's attachment lift plate located to the left, underneath the mid section of the tractor with a 5/16 x 15/16 inch clevis pin and a 1-1/2 inch hairpin cotter (Fig. 5).

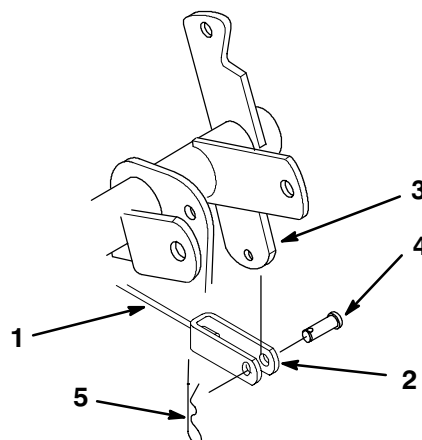


Figure 5

- | | |
|--------------------------|-------------------------------|
| 1. Attachment lift cable | 4. Clevis pin, 5/16" v 15/16" |
| 2. Clevis | 5. Hairpin cotter, 1-1/2" |
| 3. Attachment lift plate | |

3. Start the tractor, lower the attachment lift, and stop the engine. Remove the key.
4. Thread the trunnion on to the free end of the lift cable (Fig. 6).

Note: The amount that the cable is threaded into the trunnion determines the height of the accessory.

5. Attach the trunnion to the hole in the lift cable mounting bracket with a 1/2 inch washer and a 1-1/2 inch hairpin cotter (Fig. 6).

- Secure the lift cable to the trunion with a locknut (Fig. 6).

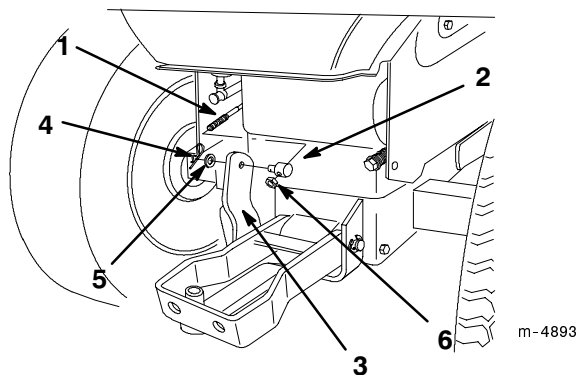


Figure 6

- | | |
|--------------------------------|---------------------------|
| 1. Lift cable | 4. Hairpin cotter, 1-1/2" |
| 2. Trunion | 5. Washer, 1/2" |
| 3. Lift cable mounting bracket | 6. Locknut |

Removing the Hitch

- Start the tractor, lower the attachment lift, and stop the engine. Remove the key.
- Remove the clevis from the attachment lift plate.
- Remove the cable from the clevis and pull it back and out of the tractor.
- Remove the retaining ring and pin securing the hitch to the tractor, pulling the hitch free of the tractor.
- Install the drawbar hitch, using the spacers removed when the clevis hitch was installed.
- Store the clevis hitch in a safe location.
- Replace the rear panel, using the bolts removed previously.

Attaching Accessories

A hitch pin, stabilizer plate, two 1/2-13 x 2 inch bolts, and two 1/2 inch jam nuts come with the hitch for use in attaching and stabilizing accessories.

To attach and stabilize an accessory, complete the following procedure:

- Slide the stabilizer plate over the tube on the clevis hitch (Fig. 7).
- Align the hitch hole on the accessory with the hole in the stabilizer plate and insert the hitch pin (Fig. 7).
- Install the two 1/2-13 x 2 inch bolts with the jam nuts into the holes on either side of the hitch pin (Fig. 7).

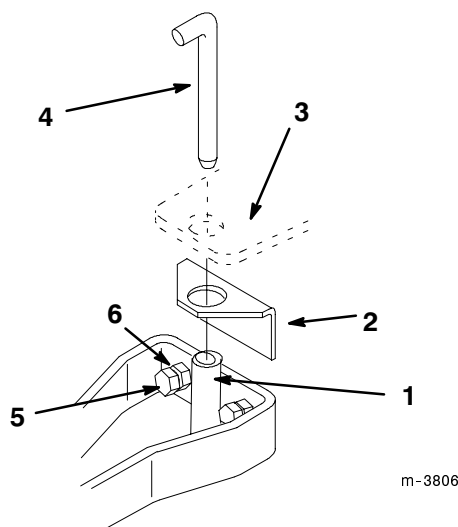


Figure 7

- | | |
|---------------------|-----------------------|
| 1. Tube | 4. Hitch pin |
| 2. Stabilizer plate | 5. Bolt, 1/2"-13 x 2" |
| 3. Accessory | 6. Jam nut |

- Thread the bolts in equally until they firmly contact the stabilizer plate, then secure them with the jam nuts.

IMPORTANT: Do not tighten the bolts against the stabilizer plate when using a moldboard plow.